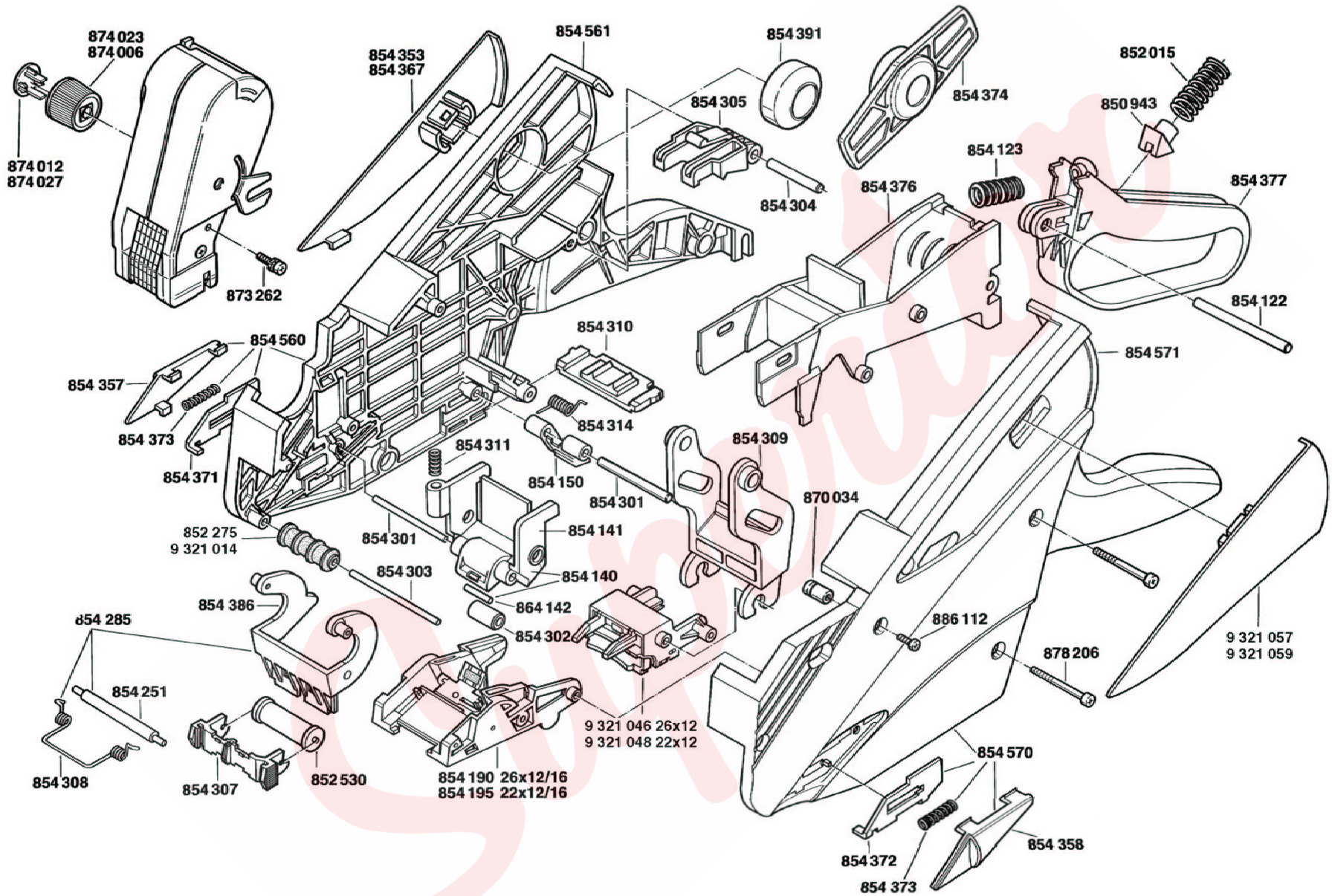
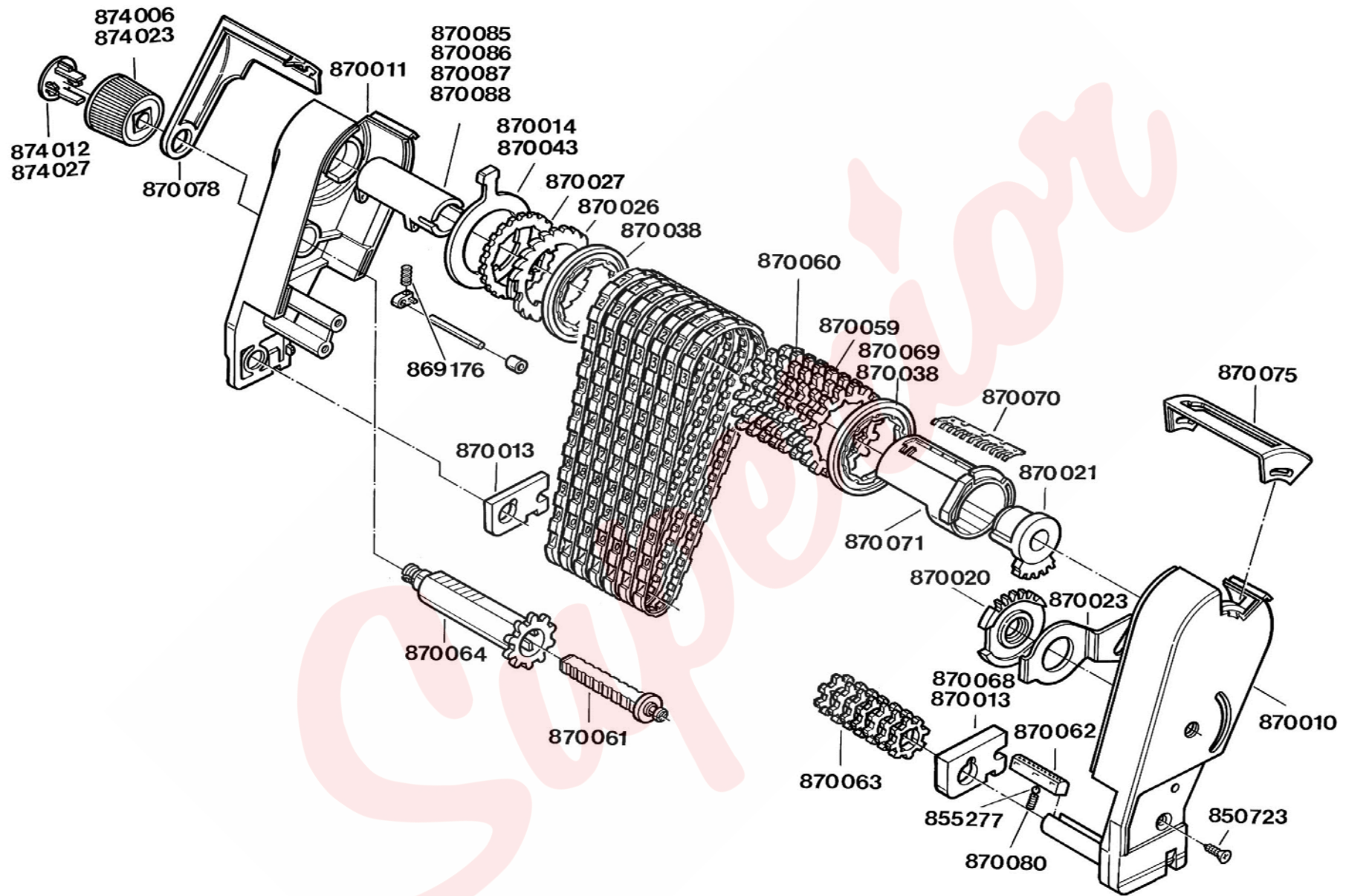


Model: METO PL 1 PA X.26/22



Model: METO PL 1 PA X.26/22 Printhead PA-Version



Model: METO PL 1 PA X.26/22
METO PL 1 PA X.26/22 Pneumatic

Ident No.	26	22	Description
8 800 285	x	x	tube Ø 2,9mm
8 800 303	x	x	tube Ø 1/16"
8 852 015	x	x	compression spring, handle
8 852 275	x	x	applicator roller assy.
8 852 784	x	x	pneu.-valve cpl.
8 852 786	x	x	air-line adapter
8 852 788	x	x	quick coupling
8 852 792	x	x	connector
8 852 793	x	x	tube fitting
8 854 140	x	x	brake lever assy. (black)
8 854 150	x	x	brake pawl (black)
8 854 190	x		baseplate assy. for labels 26x12/16 (black)
8 854 195		x	baseplate assy. for labels 22x12/16 (black)
8 854 285	x	x	ink roll suspension assy.
8 854 302	x	x	roller
8 854 303	x	x	axle, applicator roller
8 854 305	x	x	UPD fork (black)
8 854 307	x	x	bracket, ink roll
8 854 309	x	x	carrier arm
8 854 310	x	x	clamping plate (black)
8 854 353	x	x	housing insert, right side "Meto" (red)
8 854 357	x	x	knob, right (grey)
8 854 358	x	x	knob, left (grey)
8 854 367	x	x	housing insert, right side "Meto" (blue)
8 854 371	x	x	detent plate, right
8 854 372	x	x	detent plate, left
8 854 373	x	x	spring
8 854 374		x	holder, label roll (22x12/16)
8 854 376	x	x	printhead mount
8 854 377	x	x	handle
8 854 391	x		holder, label roll (26x12/16)
8 854 556	x	x	housing, right side PA pneu.
8 854 561	x	x	housing, right side PA (grey)
8 854 566	x	x	housing, left side PA pneu.
8 854 571	x	x	housing, left side PA (grey)
8 854 580	x	x	handle pneu.
8 854 585	x	x	printhead mounting pneu.
8 854 586	x	x	pneu.-cylinder
8 854 587	x	x	link
8 854 588	x	x	ledge
8 854 589	x	x	cylinder bracket
8 854 590	x	x	grooved dowel pin Ø 4x30 DIN 1475
8 854 591	x	x	spring dowel pin Ø 3x18 DIN 7346

Model: METO PL 1 PA X.26/22
METO PL 1 PA X.26/22 Pneumatic

Ident No.	26	22	Description
8 854 592	x	x	counter sunk screw M4x16 DIN 965
8 854 593	x	x	hexagonal nut M6
8 854 594	x	x	knob, valve
8 854 595	x	x	cylindric pin Ø 4x20
8 870 034	x	x	bolt
8 873 262	x	x	fillister head screw
8 878 206	x	x	cheese head screw M 3x30
8 886 112	x	x	fillister head screw M 3x6
9 321 014	x	x	applicator roller
9 321 046	x		transportsled assy.for labels 26x12
9 321 048		x	transportsled assy.for labels 22x12
9 321 057	x	x	housing insert left side "Meto advanced" (blue)
9 321 059	x	x	housing insert left side "Meto advanced" (red)
8 852 530	x	x	a set of 5 ink rollers PA

Superior

Model: METO PL 1 PA X.26/22

722 3+4 PA	
822 3+5 PA	
822 5+3 PA	148654
822 4+4 PA	
1026 7+3 PA	148658

Ident No.						Description
<u>Printhead PA-Version</u>						
8 850 723	x	x	x	x	x	knipping screw 2,9x9,5
8 855 277	x	x	x	x	x	ball diameter 2mm
8 869 176	x	x	x	x	x	compression spring
8 870 010	x	x	x	x	x	housing, left side
8 870 011	x	x	x	x	x	housing, right side
8 870 013	x	x	x	x		distance piece 2,25
8 870 014	x	x	x	x	x	switch "O", blue
8 870 020	x	x	x	x	x	switch gear
8 870 021	x	x	x	x	x	counting gear
8 870 023	x	x	x	x	x	lever
8 870 026	x	x	x	x	x	detent disc PA 1-2
8 870 027	x	x			x	control disc
8 870 038	x	x	x	x		distance disc 2,25
8 870 043	x	x	x	x	x	switch "O", red
8 870 059	x	x	x	x	x	setting wheel 2,25 manual only
8 870 060	x	x	x	x	x	setting wheel 2,25 PA function
8 870 061	x	x	x	x	x	detent shaft
8 870 062	x	x	x	x	x	detent bar
8 870 063	x	x	x	x	x	deflection wheel 2,25
8 870 064	x	x	x	x	x	detent sleeve
8 870 068	x					distance piece 4,5
8 870 069	x					distance disc 4,5
8 870 070	x	x	x	x	x	leaf spring
8 870 071	x	x	x	x	x	detent axle
8 870 075	x	x	x	x	x	window
8 870 078	x	x	x	x	x	pointer
8 870 080	x	x	x	x	x	compression spring
8 870 085					x	switch sleeve assy (1026 7+3)
8 870 086	x			x		switch sleeve assy (722 3+4PA, 822 4+4PA)
8 870 087		x				switch sleeve assy (822 3+5)
8 870 088			x			switch sleeve assy (822 5+3)
8 874 006	x	x	x	x	x	knob, blue
8 874 012	x	x	x	x	x	cover, blue
8 874 023	x	x	x	x	x	knob, red
8 874 027	x	x	x	x	x	cover, red

722 3+4 PA	
822 3+5 PA	
822 5+3 PA	148654
822 4+4 PA	
1026 7+3 PA	148658

Ident No.				Description
				<u>Printhead PA-Version</u>
*	x			standard printhead assy.
*		x		standard printhead assy.
*			x	standard printhead assy.
*		x		standard printhead assy.
*			x	standard printhead assy.
*	x			printband set
*		x		printband set
*			x	printband set
*		x		printband set
*			x	printband set

